



2024

Stand 2025 2

1

2024

2

2.1

CID CID004681 CID004728

()

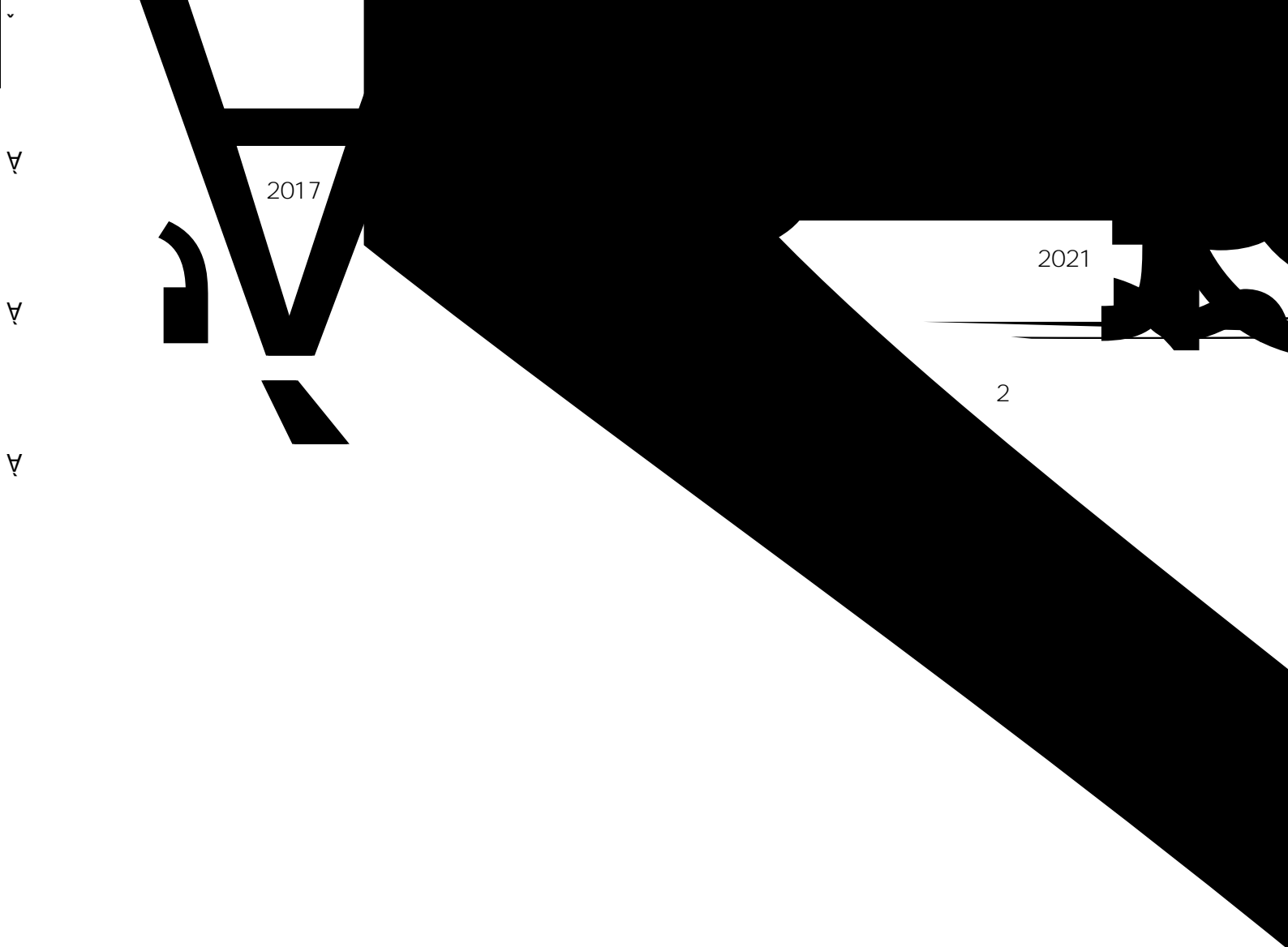
2024 3 29 -30

2023 2 1 -2024 2 15

SGS

<https://www.responsiblemineralsinitiative.org/media/docs/Public%20Reports/>

Guangxi%20CNGR%20Public%20Report.pdf



2017

2021

2

À

À

À

5.2

KYS

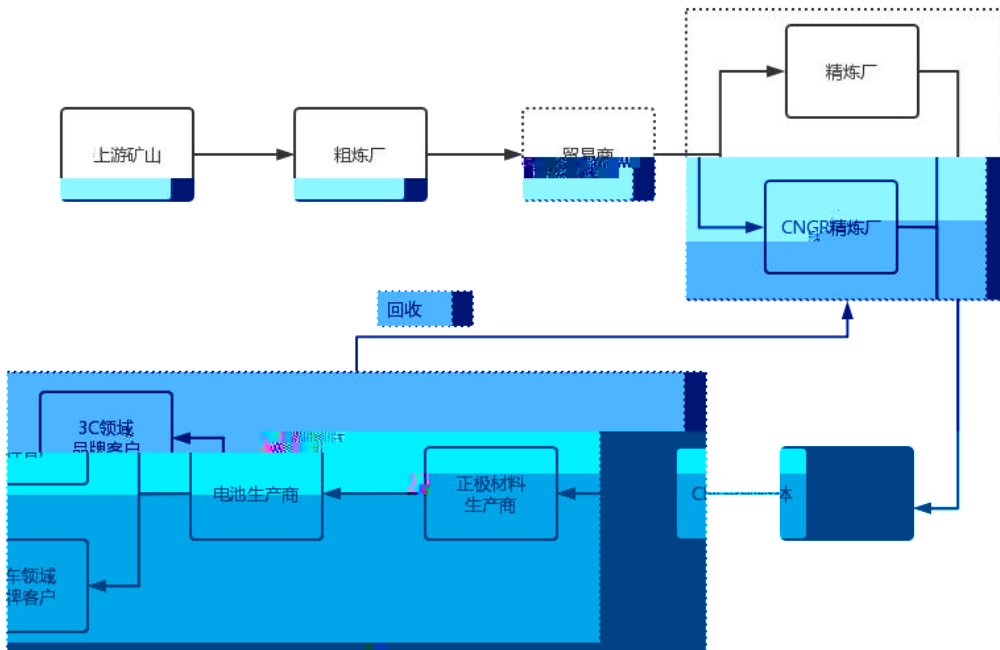
1

2024

100%

100%

100%



•

•

•

CAHRA

•

OFAC

•

•

ESG

EHS

2024

100%

5.5

2024 12 31

0

5.6

